
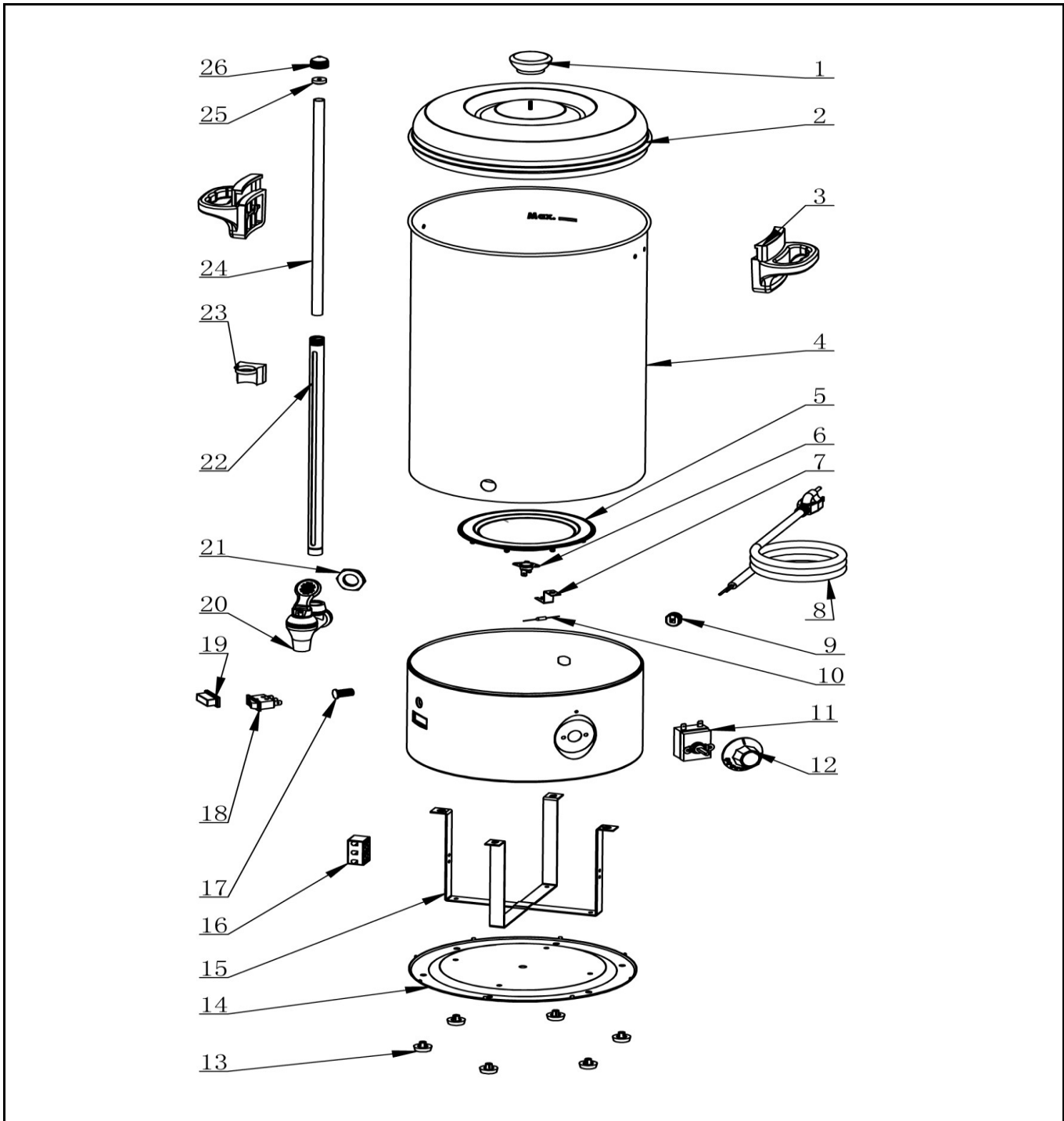



Drawing

 <p>Hendi B.V. Steenoven 21 3911 TX Rhenen The Netherlands</p>	Batch #	Appliance part#
	0000000	209882
	Description	
	Hot drinks boiler 10L	

Date	29-04-2011	Revision #	Revision version
Revision	First bill of materials (BOM)		



Bill of materials (BOM)

 <p>Hendi B.V. Steenoven 21 3911 TX Rhenen The Netherlands</p>	Batch #	Appliance part#
	0000000	209882
	Description	
Hot drinks boiler 10L		

Date	29-04-2011	Revision #	Revision version
Revision	First bill of materials (BOM)		

Item	Description	Part#	Quantity	Remark	Picture
1	Knob for lid	nss	1	Available in set 906309	
2	Lid	906309	1		
3	Handle container	n/a	2		
4	Container	n/a	1		
5	Element	209912	1		
5a	Gasket element	904367	1		
6	Hi-limiter	904312	1	(120 degrees celcius)	
7	Holder hi-limiter	n/a	1		
8	Power cord	930045	1		
9	Cord inlet / retention	904374	1		
10	Thermal fuse	208441	1	(144 degrees celcius)	
11	Thermostat	904350	1		
12	Knob thermostat	906323	1		
13	Foot	900574	6		
14	bottom plate	n/a	1		
15	Bracket bottom plate	n/a	1		
16	Terminal block	904381	1		
17	Lamp indication	902059	1		
18	Switch	904398	1		
19	Switch cover	nss	1	Available in set 904398	
20	Faucet	208038	1	Also available in set 906330	
21	Nut faucet	nss	1	Available in 208038 and 906330	
22	Sleeve graduation	nss	1	Available in 906330	
23	Holder graduation	nss	1	Available in 906330	
24	Glass graduation	nss	1	Available in 906330	
25	Gasket glass graduation	208496	2	Also available in 906330	
26	Nut graduation	nss	1	Available in 906330	
27	Sleeve graduation with faucet complete	906330	1	(parts 20,21,22,23,24,25,26)	


n/a

-> not available

nss

-> not sold separately

Circuit diagram

 <p>Hendi B.V. Steenoven 21 3911 TX Rhenen The Netherlands</p>	Batch #	Appliance part#
	0000000	209882
	Description	
	Hot drinks boiler 10L	

Date	29-04-2011	Revision #	Revision version
Revision	First bill of materials (BOM)		

