

06/2012

# Mod: **GTP-5P**

**Production code: 18G314000000**



**Diamond**  
catering equipment

# ***SPARE PARTS***

## ***BLAST CHILLER GTP-5P***



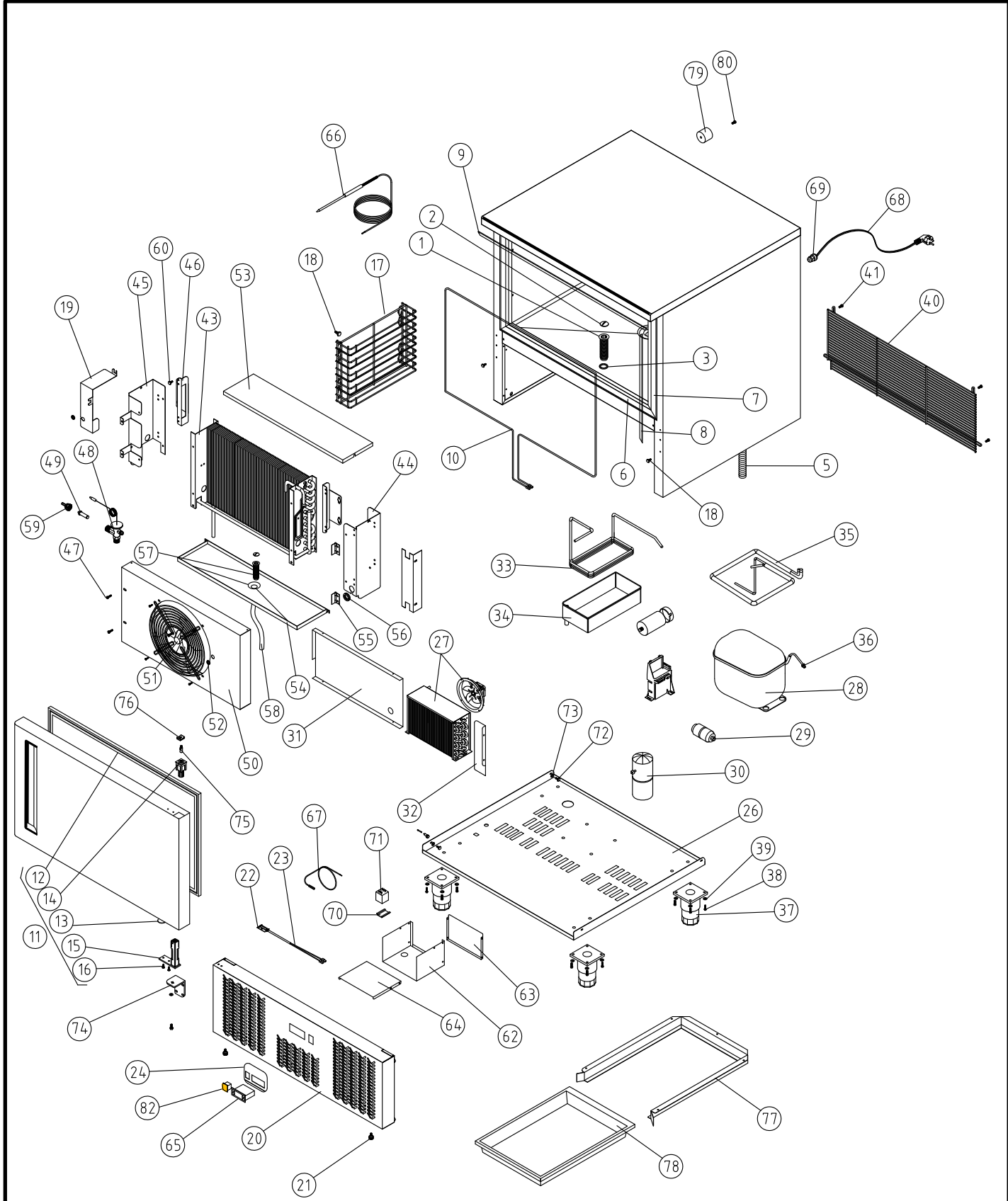
*Rev.: March-2012*

**SPARE PARTS BLAST  
CHILLER  
02-03-2012**



**MODEL**  
**GTP-5P**

Nº	NIVEL	CODE	DESCRIPTION		
1	1	6003010326	COMPLETE DRAIN 3/4 GREY+NUT	1	
2	1	6003010480	GREY PLUG DRAIN 1100 ABS 3/4	1	
3	1	6003010327	RUBBER DRAIN BOARD 3/4	1	
5	1	6007170373	DRAIN HOSE REF:Z400908	1	
6	1	A107170046	COVER 743/45° HOR.MAG.	2	
7	1	A107170047	COVER 441/45° VER.MAG	2	
8	1	A107170048	PROFILE.MAG.VERT.421/45°	2	
9	1	A107170049	PROFILE.MAG.HOR.722/45°	2	
10	1	6021250074	RESIST.FRAME 48W	1	
11	1	A169010215	DOOR GTP-5P DIAMOND	1	
12	2	6045010154	CLOSING DOOR PROFILE 722x422	1	
13	2	6003010050	CLOSURE CAP DOOR D=20MM	1	
14	2	6003010136	GRAY BOX SPRING HOUSING	1	
15	2	6033010100	HINGE.TRS1D DOBL SPRING DV-2608	1	
16	2	6025050013	SCREW 4.2X13 INOX DIN CE	2	
17	1	6027050022	SUPPORT ROD	2	
18	1	6025090136	BOLT FIXING BRACKET	8	
19	1	A109050673	COVER EVAPORATOR TUBES	1	
20	1	A177010553	PANEL CONTROL COMPLETE	1	
21	1	6025090135	KNOB HANDLE PANEL CONTROL	3	
22	1	6003010362	TIE BREAKER MAGNETIC REF.Z203010	1	
23	1	6021130029	SWITCH MAGNETIC MOD.A061 1V	1	
24	1	6023010586	ADHESIVE STICKER	1	
25	1	A173010172	CONDENSING UNIT	1	
26	2	A109170239	BASE	1	
27	2	6029020052	CONDENSER STVF-139 051 ECO+VENTILATOR	1	
28	2	6021010180	COMPR.SC-15-CLX.2 220V 50HZ	1	
29	2	6047010010	FILTER UNIT.CON.ELIMINAT 031	1	
30	2	6047050013	LIQUID TANK RV-65x204 031	1	
31	2	A109170311	LEFT CLOSE AIRE CON. ECO	1	
32	2	A109170312	RIGHT CLOSE AIR CON. ECO	1	
33	2	A107010078	EVAPOR.AUTOM PINT.	1	
34	2	6003010023	EVAPORATION TRAY AUTOMATIC	1	
35	2	A173090003	EXCHANGER	1	
36	2	6021310003	OBUS VALVE COMPLETE RF.HB-1S	2	
37	2	6007050111	ADJUSTABLE LEG.D=63 80/115 INOX	4	
38	2	6025090138	SCREW.M5x20 INOX EXAG.DIN 933	16	
39	2	6025210041	WASHER M5 INOX	16	
40	1	6027050013	REAR RACK	1	
41	2	6025090133	SCREW.M5X16 INOX DIN TRL	4	
42	1	A171010126	UNIT EVAPORAT.COMPLETE+ BOX VENT.051 ECO	1	
43	1	6029010154	EVAPO.12T2R435A4.5S 051	1	
44	1	A109050679	COVER RIGHT ELBOW	1	
45	1	A109050681	COVER LEFT ELBOW	1	
46	1	A109050680	SUPPORT EVAPORATOR	2	
47	1	6025090133	SCREW.M5X16 INOX DIN TRL	2	
48	1	6021310049	EXPANSION VALVE TS2 R/S 031	1	
49	1	6021310050	ORIFIC-01.C.FIL.WELDING ADAP.	1	
50	1	A109050677	SUUPPORT FAN.EVAP.051	1	
51	1	6021050078	FAN R09R	1	
52	1	6003010082	RUBBER RING R.2101 D14	1	
53	1	A109050674	EVAPORATOR BOX COVER	1	
54	1	A109050675	EVAPORATOR DRAIN TRAY	1	
55	1	6033010128	HINGE INOX 40X40X1(4 HOLE)	2	
56	1	6003010089	RUBBER RING	2	
57	1	6003010062	COMPLETE DRAIN 1/2	1	
58	1	6003010417	DRAIN PIPE.BUFLEX D.INT=17MM	1	
59	1	6021310051	ADAPT. VALV.SOLDA COBR 1/4	1	
60	1	6025090146	SCREW C/AR.M5X20 INOX DIN 6921	9	
61	1	6021450113	INSTALATION ELECT.	1	
62	1	A109170314	CORPS BOX .ELECT.	1	
63	1	A109170313	BOX COVER INSTALLATION	1	
64	1	A109050775	TOP BOX INSTAL.	1	
65	1	6021350126	THERMOSTAT EVK802N7 L. BLUE	1	
66	1	6021350107	PROBE CUORE	1	
67	1	6021350108	PROBE TEMPERATURE	2	
68	1	6021390022	HOSE 3X1.5X2500 BL.SCHUKO 3T	1	
69	1	6021450012	STUFFING PG16E GREY	1	
70	1	6021450001	OMEGA FIXING RELAY DIN 2069	0.2	
71	1	6021130033	RELAY WEIDM. RPW508730 220V 2CT	1	
72	1	6025090050	SCREW M6X16 INOX C/EXAG DIN 933	1	
73	1	6025210005	GROWER WASHER INOX M6	1	
74	1	A109050776	HINGE SUPPORT	1	
75	1	6033090104	SHAFT THREAD EXT.30X10INOX	1	
76	1	6025130045	QUICK NUT TRT M6-2	1	
77	1	A109170240	DRAIN TRAY GUIDE	1	
78	1	6003050039	WATER PICK TRAY	1	
79	1	6033090105	BLACK REAR BUMPER	2	
80	1	6025090020	SCREW M6X40 INOX CAB.EXTRAP NFE	2	
82	1	6021130073	BIPOLAR SWITCH GREEN	1	



<b>Material/Material:</b> INOX <b>Acabado/finished:</b> . .		<b>AI BLAST CHILLER</b>					
<b>Nº Modificación/Modification</b>		<b>Nombre/Name:</b>		<b>Fecha/Date</b>		<b>CODIGO/CODE:</b> .....	
. .		. .		. .		REVISION	
. .		. .		. .		Modelo/Model: GTP-5P	
. .		. .		. .		Uds: . .	
. .		. .		. .		Modelo/Model: . .	
. .		. .		. .		Uds: . .	
<b>TOLERANCIA/TOLERANCE</b> < 5mm ±0,10 5-25 mm ±0,20 25-120 mm ±0,30 120-400 mm ±0,50 400-1000 mm ±0,80 >1000 mm ±1,20 Angular ±1°		<b>A4</b> <b>Dibujado/Drawn</b> J.A.PULIDO <b>Comprobado/Checked:</b>		<b>Nombre/Name</b> J.A.PULIDO <b>Fecha/Date</b> 02/03/2012			
<b>Escala/Scale</b> <b>1:20</b>		<b>SPARE PARTS GTP-5P</b>					