

06/2012

Mod: **GTP-3P**

Production code: 18G300500000



Diamond
catering equipment

SPARE PARTS

BLAST CHILLER GTP-3P



Rev.: March-2012

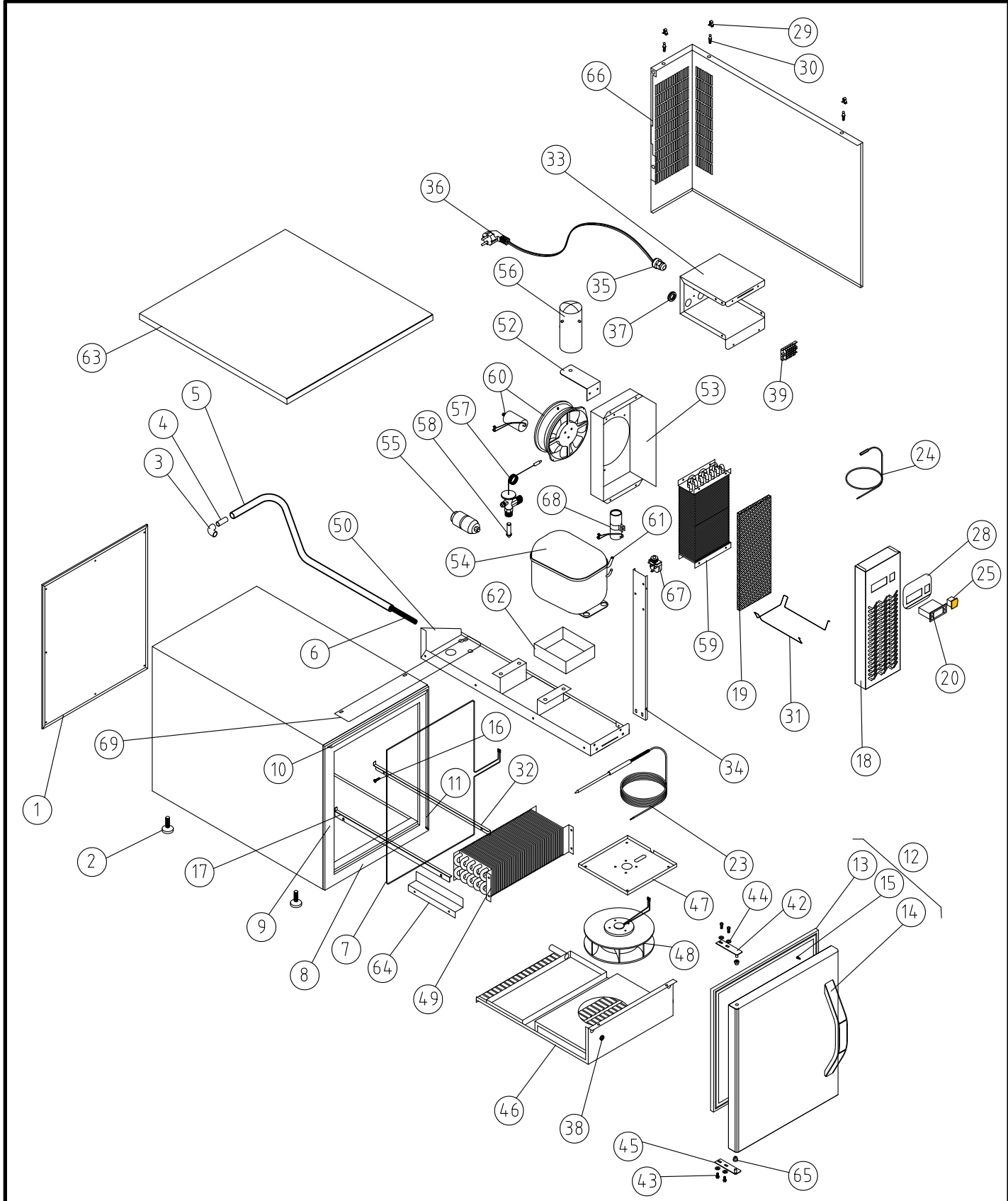
**SPARE PARTS BLAST
CHILLER
02-03-2012**



MODEL

GTP-3P

Nº	NIVEL	CODE	DESCRIPTION	
1	1	A109010616	BACK COVER	1
2	1	6003010012	REGULATOR M-10X40 PR-30	4
3	1	6003010462	EVAPORATOR DRAIN ELBOW D20x2	1
4	1	A107170009	DRAIN PIPE ELBOW EVAPORATOR	1
5	1	6007170527	CRYSTAL RUBBER DRAIN 15x19	0.6
6	1	6033090102	SPRING EVAPORATOR DRAIN 1.5x13x10	1
7	1	6021250082	RESISTANCE FRAME 18W	1
8	1	A107170042	HORIZONTAL FRAME COVER	2
9	1	A107170043	VERTICAL FRAME COVER	2
10	1	A107170044	HORIZONTAL MAGNETIC PROFILE 398 45°	2
11	1	A107170045	VERTICAL MAGNETIC PROFILE.476 45°	2
12	1	A169010175	COMPLETE DOOR	1
13	2	6045010153	CLOSING DOOR PROFILE 464x387	1
14	2	6033010118	HANDLE DOOR	1
15	2	6025090124	SCREW.M6x10 ZINC.DIN 912	2
16	1	6025090133	SCREW.M5X16 INOX DIN TRL	12
17	1	A109050759	LEFT GUIDE	3
18	1	A177010552	CONTROL PANEL	1
19	1	6049010011	FOAM FILTER CONDENSER UNIT	0.06
20	1	6021350126	THERMOSTAT ECO EVK-802N7	1
23	1	6021350107	CUORE PROBE	1
24	1	6021350108	PROBE TEMPERATURE	2
25	1	6021130073	BIPOLAR SWITCH GREEN O/I	1
28	1	6023010586	ADHESIVE STICKER BLAST CHILLER	1
29	1	6025090130	FIXING SPRING	4
30	1	6025090129	SET SCREW	4
31	1	6007050108	SETTING AIR FILTER PANEL CONTROL	1
32	1	A109050758	RIGHT GUIDE	3
33	1	A109170229	ELECTRICAL BOX	1
34	1	A109170224	LATERAL SUPPORT ELECTRICAL BOX	1
35	1	6003010083	GALND NUT PLASTIC	1
36	1	6021390022	HOSE 3X1.5X2500 BL.SCHUKO 3T	1
37	1	6003010089	RUBBER RING ARM.GAST DEP.	4
38	1	6003010082	RUBBER RING R.2101 D14	5
39	1	6021210079	STRIP PA32/5	1
40	1	6021450146	ELECTRICAL INSTALLATION	1
41	1	6021450001	FASTENING OMEGA RELAY	0.2
42	1	A169090017	HINGE BRACKET TOP	1
43	2	6025090134	SCREW.M5x16 INOX HEXAGON DIN 933	2
44	2	6025210042	WIDE WASHER M5 INOX	2
45	1	A169090018	BOTTOM LEFT HINGE SUPPORT	1
46	1	A171050036	COVER+TRAY EVAPORATOR	1
47	1	A109050656	EVAPORATOR FAN SUPPORT	1
48	1	6021050062	EVAPORATOR FAN SUPPORT	1
49	1	6029010145	EV.5T 4R 271A 4.5S	1
50	1	A173010139	CONDENSING UNIT BASE	1
51	1	A173010140	CONDENSING UNIT	1
52	2	A109170230	SUPPORT LIQUID TANK	1
53	2	A109170223	CONDENSER COVER	1
54	2	6021010001	COMPRESSOR	1
55	2	6047010010	CONDENSING UNIT FILTER	1
56	2	6047050013	LIQUID TANK RV-65x204	1
57	2	6021310049	EXPANSION VALVE TS2 R/S	1
58	2	6021310050	HOLE-01.C.FIL.ADAP.WELD.	1
59	2	6029020026	CONDENSER 6T 4R 275A 2S	1
60	2	6021050063	FANS UD.CONDENS.031	1
61	2	6021310003	VALVE OBUS COMPLETE RF.HB-1S	2
62	1	A109050658	EVAPORATION TANK AUTOMATIC	1
63	1	A181010005	TOP 031	1
64	1	A109050664	Z PROBE CUORE	1
65	1	6033090100	SHAFT BUSHING DOOR	2
66	1	A109010621	STRAP-SIDE	1
67	1	6021010042	RELAY START	1
68	1	6021010035	CAPACITOR START	1
69	1	A109050657	DECORATIVE TOP	1



Material/Material: INOX Acabado/finished: ..		AI BLAST CHILLER					
Nº Modificación/Modification		Nombre/Name:		Fecha/Date		CODIGO/CODE:	
.		.		.		REVISION	
.		.		.		Modelo/Model: Uds: Modelo/Model: Uds:	
.		.		.		00 GTP-3P . . .	
.		
.		
TOLERANCIA/TOLERANCE		A4		Nombre/Name		Fecha/Date	
< 5mm ±0,10		Dibujado/Drawn J.A.PULIDO		02/03/2012			
5-25 mm ±0,20		Comprobado/Checked:		.			
25-120 mm ±0,30		Escala/Scale		SPARE PARTS GTP-3P			
120-400 mm ±0,50		1:18					
400-1000 mm ±0,80		CNC					
>1000 mm ±1,20							
Angular ±1°							