

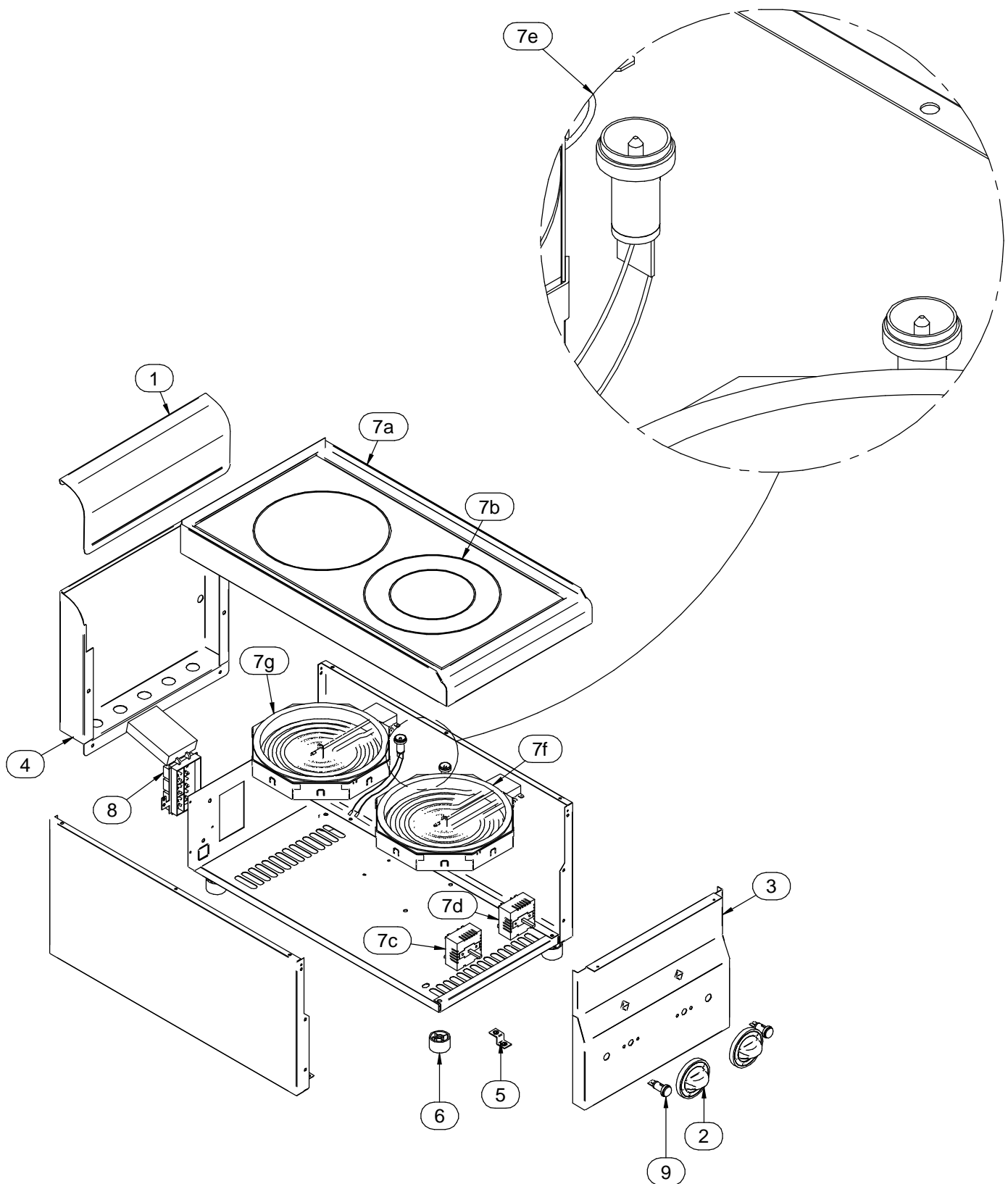
05/2013

# **Mod: E60/2VC3T**

**Production code: 60/30 PVE**



**Diamond**  
catering equipment



Modello Type:	<b>60/30 PVE2</b>				cod. / num. <b>2531372.00</b>	
					data / date: <b>22/05/2013</b>	
POS. ITEM	CODICE CODE	DESCRIZIONE	DESCRIPTION	DENOMINATION	BENENNUNG	NOTE / NOTES
1	6111087.00	ALZATINA	UPSTAND	DOSSERET	AUFKANTUNG	
2	612.076.00	MANOPOLA	KNOB	BOUTON	DREHKNOPF	
3	256.043.00	CRUSCOTTO	CONTROL PANEL	BANDEAU	BEDIENBLLENDE	
4	6211266.00	PANNELLO POSTERIORE	BACK PANEL	PANNEAU POSTERIEUR	HINTERBRETT	
5	256.002.00	STAFFA FISSAGGIO CRUSCOTTO	CONTROL PANEL FIXING BRACKET	EQUERRE FIXATION BANDEAU	BEFESTIGUNGSWINKEL BEDIENBLLENDE	
6	651.001.00	PIEDINO	FOOT	PIED	STELLFUSS	
7	611.829.00	ASSIEME PIANO VETROCERAMICA	GLASS-CERAMIC PLATE COMPONENTS	GROUPE PLAQUE EN VITRO- CÉRAMIQUE	GLASKERAMIKKOCHFELDELEMENTE	
7a	256.044.00	PIANO	WORKTOP	PLAN	PLATTE	
7b	655.004.00	VETROCERAMICO	GLASS-CERAMIC	VITRO-CÉRAMIQUE	GLASKERAMIK	
7c	661.102.00	REGOLATORE DOPPIO CIRCUITO	DOUBLE CIRCUIT REGULATOR	REGLEUR À DOUBLE CIRCUIT	REGLER MIT DOPPELSTROMKREIS	
7d	661.058.00	REGOLATORE ENERGIA	ENERGY REGULATOR	REGLEUR D'ÉNERGIE	ENERGIEREGLER	
7e	663.038.00	GRUPPO LAMPADE	LAMPS GROUP	GROUPE LAMPES	LAMPENGRUPPE	
7f	665.066.00	RESISTENZA DOPPIO CIRCUITO	DOUBLE CIRCUIT HEATING ELEMENT	RÉSISTANCE À DOUBLE CIRCUIT	WIDERSTAND MIT DOPPELSTROMKREIS	
7g	665.065.00	RESISTENZA	HEATING ELEMENT	RESISTANCE	HEIZKÖRPER	
8	663.040.00	MORSETTIERA	TERMINAL BOARD	BORNES	KLEMMENBRETT	
9	663.043.00	SPIA VERDE	GREEN INDICATOR LIGHT	LAMPE TEMOIN VERTE	GRÜNE KONTROLLAMPE	
10						
11						
12						
13						