

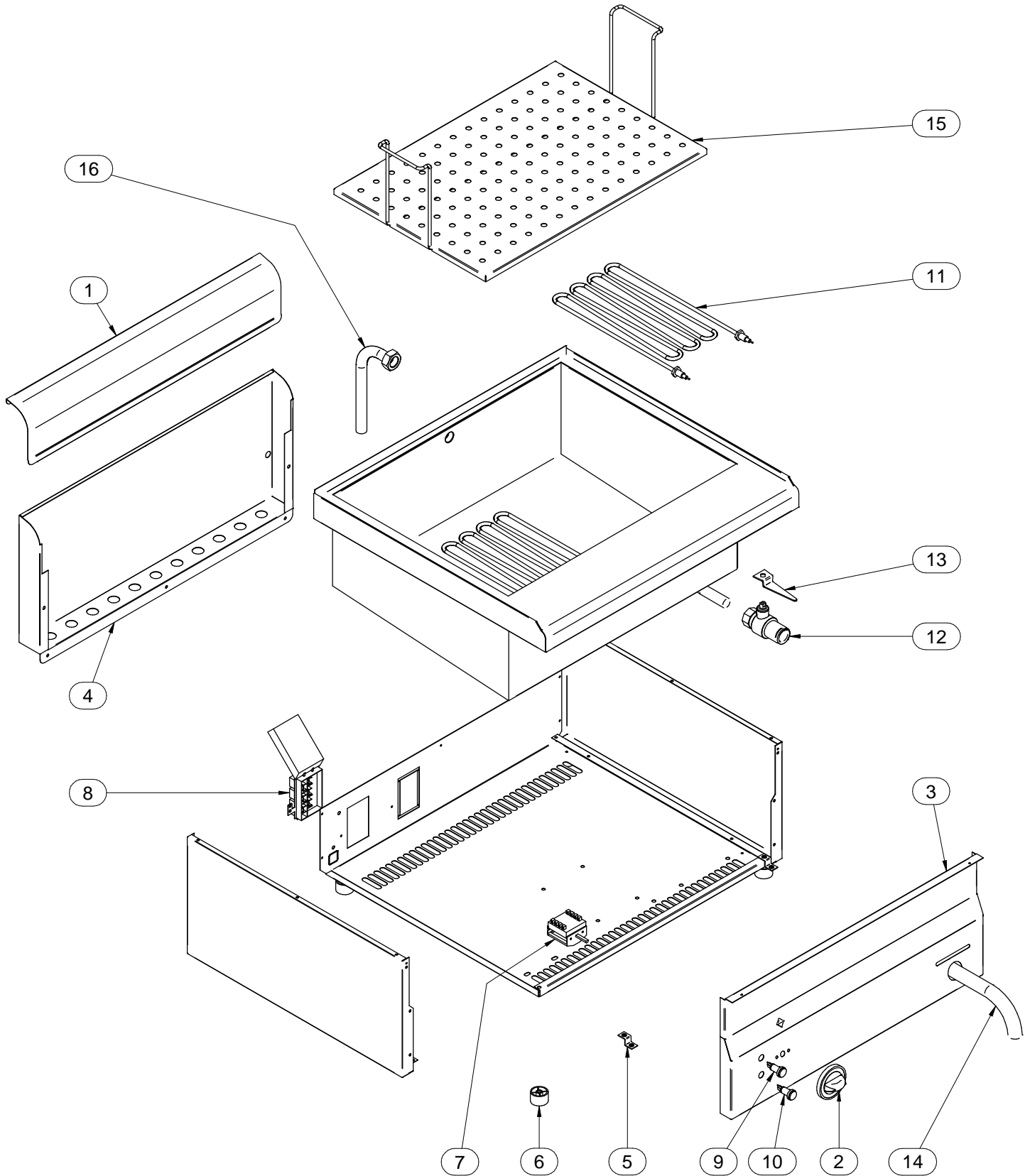
06/2013

Mod: E60/CP6T

Production code: 60/60 CPE



Diamond
catering equipment



Modello Type:	60/60 CPE				cod. / num. 2531443.00	
					data / date: 20/06/2013	
POS. ITEM	CODICE CODE	DESCRIZIONE	DESCRIPTION	DENOMINATION	BENENNUNG	NOTE / NOTES
1	6111088.00	ALZATINA	UPSTAND	DOSSERET	AUFKANTUNG	
2	612.075.00	MANOPOLA	KNOB	BOUTON	DREHKNOPF	
3	256.088.00	CRUSCOTTO	CONTROL PANEL	BANDEAU	BEDIENBLLENDE	
4	6211267.00	PANNELLO POSTERIORE	BACK PANEL	PANNEAU POSTERIEUR	HINTERBRETT	
5	256.002.00	STAFFA FISSAGGIO CRUSCOTTO	CONTROL PANEL FIXING BRACKET	EQUERRE FIXATION BANDEAU	BEFESTIGUNGSWINKEL BEDIENBLLENDE	
6	651.001.00	PIEDINO	FOOT	PIED	STELLFUSS	FROM - 01/1999 TO - 05/2013
	651.001.13	PIEDINO	FOOT	PIED	STELLFUSS	FROM - 06/2013 TO -
7	661.037.00	COMMUTATORE	CHANGE-OVER SWITCH	COMMUTATEUR	UMSCHALTER	
8	663.040.00	MORSETTIERA	TERMINAL BOARD	BORNES	KLEMMENBRETT	
9	663.043.00	SPIA VERDE	GREEN INDICATOR LIGHT	LAMPE TEMOIN VERTE	GRUENE KONTROLLAMPE	
10	663.044.00	SPIA ARANCIO	ORANGE INDICATOR LIGHT	LAMPE TEMOIN ORANGE	ORANGE KONTROLLAMPE	
11	665.032.00	RESISTENZA	HEATING ELEMENT	RESISTANCE	HEIZKOERPER	
12	256.047.00	RUBINETTO	TAP	ROBINET	WASSERHAHN	
13	623.024.00	LEVA RUBINETTO	TAP LEVER	LEVIER ROBINET	HAHNHEBEL	
14	631.000.00	SCARICO	DRAIN	VIDANGE	ABLAUF	
15	611.812.00	FALSOFONDO	FALSE BOTTOM	FAUX-FOND	ABTROPFPLATTE	
16	256.050.00	SCARICO TROPPOPIENO	OVERFLOW WATER OUTLET	VIDANGE DU TROP-PLEIN	ABLAUF DES ÜBERLAUFS	
17						
18						
19						