

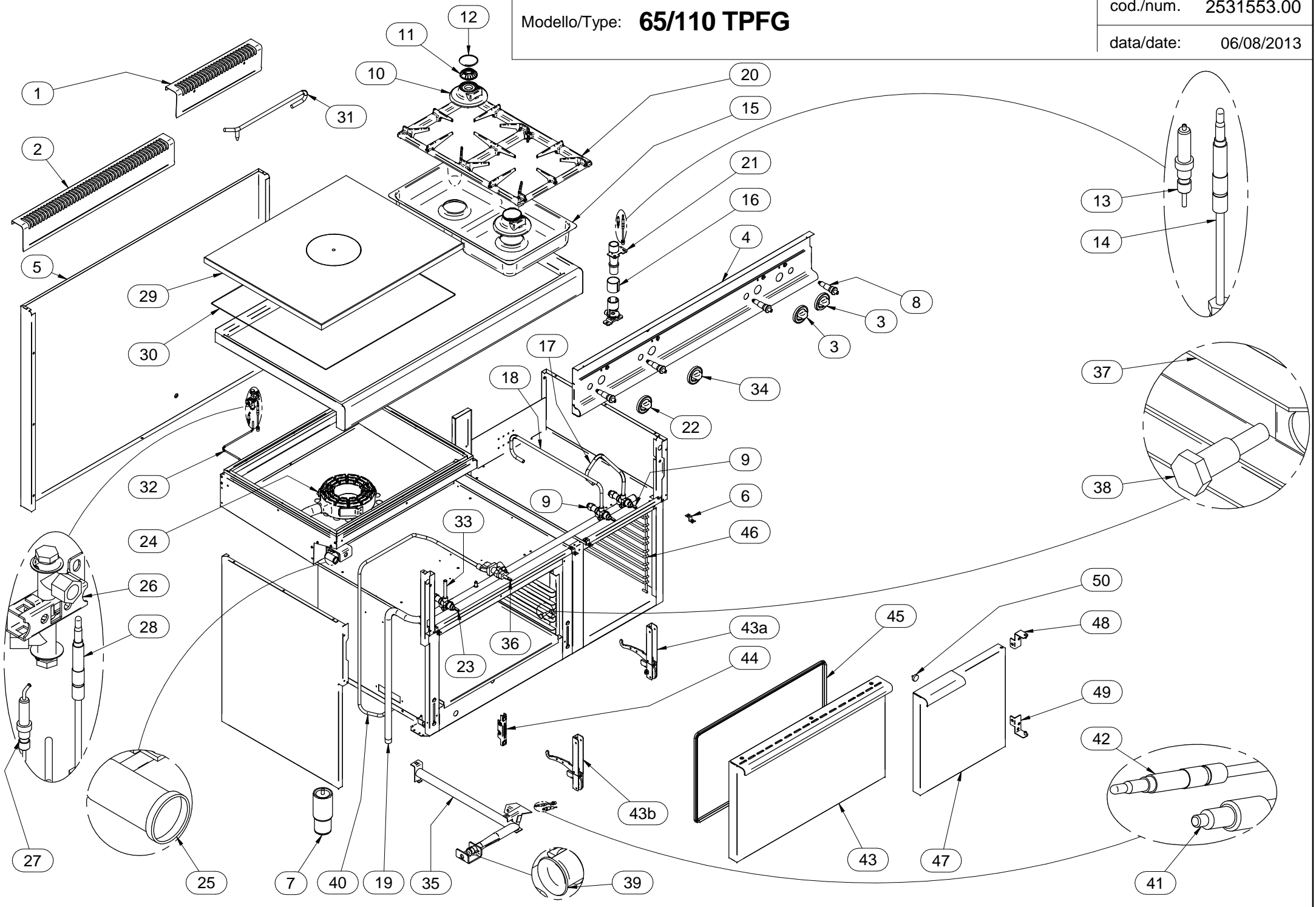
01/2014

Mod: G65/T2BFA11

Production code: 65/110 TPEG



Diamond
catering equipment



Modello Type:	65/110 TPGG				cod. / num. 2531555.00	
					data / date: 07/08/2013	
POS. ITEM	CODICE CODE	DESCRIZIONE	DESCRIPTION	DENOMINATION	BENENNUNG	NOTE / NOTES
1	611.001.00	ALZATINA	UPSTAND	DOSSERET	AUFKANTUNG	
2	611.002.00	ALZATINA	UPSTAND	DOSSERET	AUFKANTUNG	
3	612.069.00	MANOPOLA	KNOB	BOUTON	DREHKNOPF	
4	256.199.00	CRUSCOTTO	CONTROL PANEL	BANDEAU	BEDIENBLLENDE	
5	621.133.15	PANNELLO POSTERIORE	BACK PANEL	PANNEAU POSTERIEUR	HINTERBRETT	
6	256.002.00	STAFFA FISSAGGIO CRUSCOTTO	CONTROL PANEL FIXING BRACKET	EQUERRE FIXATION BANDEAU	BEFESTIGUNGSWINKEL BEDIENBLLENDE	
7	912.033.00	PIEDINO	FOOT	PIED	STELLFUSS	
8	672.006.00	ACCENDITORE PIEZO	PIEZO LIGHTER	ALLUMEUR PIEZO	PIEZOZÜNDER	
9	671.000.00	RUBINETTO GAS	GAS TAP	ROBINET GAZ	GASHAHN	
10	672.050.00	BRUCIATORE	BURNER	BRULEUR	BRENNER	
11	672.098.00	SPARTIFIAMMA	FLAMESREADER	CHAPEAU BRULEUR	FLAMMENTEILER	
12	672.044.00	COPERCHIO	LID	COUVERCLE	DECKEL	
13	672.005.00	CANDELA ACCENSIONE	IGNITION ELECTRODE	BOUGIE D'ALLUMAGE	KERZE SCHNELLBRENNER	
14	256.109.00	TERMOCOPPIA	THERMOCOUPLE	THERMOCOUPLE	THERMOELEMENT	
15	622.057.00	BACINELLA	CONTAINER	BAC	BEHÄLTER	
16	672.016.00	BOCCOLA REGOLAZIONE ARIA	AIR REGULATION BUSHING	BAGUE DE RÉGULATION AIR	LUFTREGLERBÜCHSE	
17	256.110.00	TUBO GAS	GAS PIPE	TUBE GAZ	GASROHR	
18	256.111.00	TUBO GAS	GAS PIPE	TUBE GAZ	GASROHR	
19	675.053.00	TUBO GAS	GAS PIPE	TUBE GAZ	GASROHR	
20	681.008.00	GRIGLIA	GRILL	GRILLE	GITTER	

Modello Type:	65/110 TPGG				cod. / num. 2531555.00	
					data / date: 07/08/2013	
POS. ITEM	CODICE CODE	DESCRIZIONE	DESCRIPTION	DENOMINATION	BENENNUNG	NOTE / NOTES
21	672.010.00	VENTURI PER BRUCIATORE	VENTURI TUBE FOR BURNER	TUBE DE VENTURI POUR BRÛLEUR	VENTURI-DÜSE FÜR BRENNER	
22	612.067.00	MANOPOLA	KNOB	BOUTON	DREHKNOFF	
23	671.001.00	RUBINETTO GAS	GAS TAP	ROBINET GAZ	GASHAHN	
24	672.056.00	BRUCIATORE	BURNER	BRULEUR	BRENNER	
25	672.061.00	BOCCOLA REGOLAZIONE ARIA	AIR REGULATION BUSHING	BAGUE DE RÉGULATION AIR	LUFTREGLERBÜCHSE	
26	672.057.00	GRUPPO PILOTA	PILOT GROUP	GROUPE VEILLEUSE	ZÜNDBRENNER GRUPPE	
27	672.060.00	CANDELA ACCENSIONE	IGNITION ELECTRODE	BOUGIE D'ALLUMAGE	KERZE SCHNELLBRENNER	
28	672.025.00	TERMOCOPPIA	THERMOCOUPLE	THERMOCOUPLE	THERMOELEMENT	
29	681.012.00	PIASTRA	SOLID TOP	PLAQUE COUP DE FEU	KOCHFELD	
30	653.000.00	GUARNIZIONE	WASHER	GUARNITURE	DICHTUNGSRING	
31	683.028.00	GANCIO	HOOK	CROC	HAKEN	
32	256.159.00	TUBO GAS	GAS PIPE	TUBE GAZ	GASROHR	
33	256.160.00	TUBO GAS	GAS PIPE	TUBE GAZ	GASROHR	
34	612.077.00	MANOPOLA	KNOB	BOUTON	DREHKNOFF	
35	672.030.00	BRUCIATORE	BURNER	BRULEUR	BRENNER	
36	671.002.00	TERMOSTATO	THERMOSTAT	THERMOSTAT	THERMOSTAT	
37	611.088.00	REGGIGRIGLIA	TRAY RACK	PORTE-PLAQUES	EINHÄNGEGESTELL	
38	641.013.00	FISSAGGIO REGGIGRIGLIA	TRAY RACK FIXING	FIXAGE PORTE-PLAQUES	BEFESTIGUNG DES EINHÄNGEGESTELLS	
39	672.021.00	BOCCOLA REGOLAZIONE ARIA	AIR REGULATION BUSHING	BAGUE DE RÉGULATION AIR	LUFTREGLERBÜCHSE	
40	256.149.00	TUBO GAS	GAS PIPE	TUBE GAZ	GASROHR	

Modello Type:	65/110 TPGF				cod. / num. 2531555.00	
					data / date: 07/08/2013	
POS. ITEM	CODICE CODE	DESCRIZIONE	DESCRIPTION	DENOMINATION	BENENNUNG	NOTE / NOTES
41	672.019.00	CANDELA ACCENSIONE	IGNITION ELECTRODE	BOUGIE D'ALLUMAGE	KERZE SCHNELLBRENNER	
42	256.151.00	TERMOCOPPIA	THERMOCOUPLE	THERMOCOUPLE	THERMOELEMENT	
43	256.150.00	PORTA	DOOR	PORTE	TÜR	
43a	684.009.00	CERNIERA	JOINT	CHARNIERE	SCHARNIER	
43b	684.010.00	CERNIERA	JOINT	CHARNIERE	SCHARNIER	
44	684.011.00	PORTARULLINO	ROLL HOLDER	PORTE-AIGUILLE DE ROULEMENT	ROLLE-TRÄGER	
45	652.013.00	GUARNIZIONE	WASHER	GUARNITURE	DICHTUNGSRING	
46	683.004.00	REGGIGRIGLIA	TRAY RACK	PORTE-PLAQUES	EINHÄNGEGESTELL	
47	611.125.23	PORTA	DOOR	PORTE	TÜR	
48	911.846.15	CERNIERA	JOINT	CHARNIERE	SCHARNIER	
49	911.847.15	CERNIERA	JOINT	CHARNIERE	SCHARNIER	
50	684.007.00	MAGNETE	MAGNET	MAGNÉTO	MAGNET	
51						
52						
53						
54						
55						
56						
57						
58						