

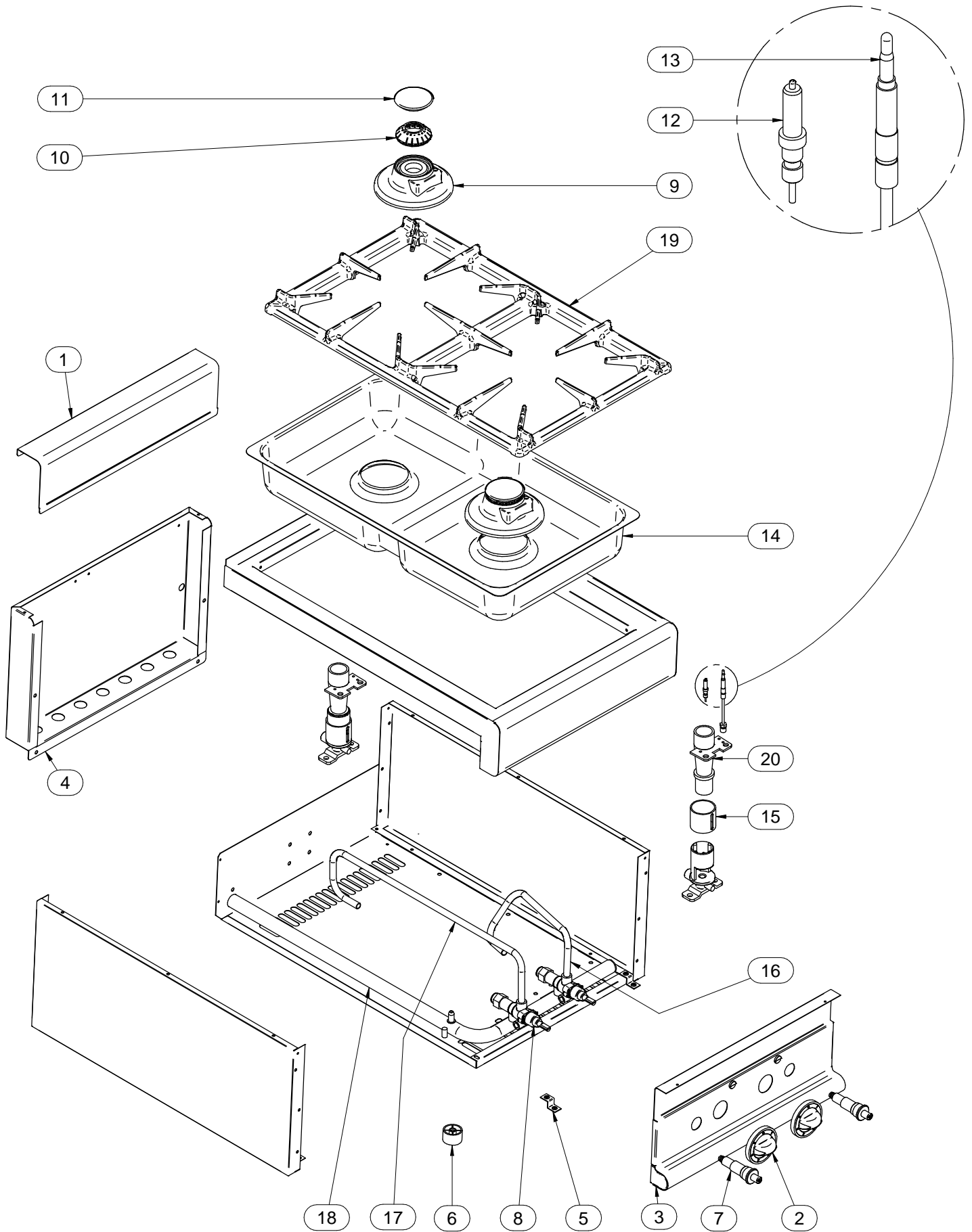
07/2013

**Mod: G65/2F4T**

**Production code: 65/40 PCG**



**Diamond**  
catering equipment



| Modello<br>Type: | <b>65/40 PCG</b> |                            |                              |                          | cod. / num. <b>2531426.00</b>       |                             |
|------------------|------------------|----------------------------|------------------------------|--------------------------|-------------------------------------|-----------------------------|
|                  |                  |                            |                              |                          | data / date: <b>01/07/2013</b>      |                             |
| POS.<br>ITEM     | CODICE<br>CODE   | DESCRIZIONE                | DESCRIPTION                  | DENOMINATION             | BENENNUNG                           | NOTE / NOTES                |
| <b>1</b>         | 611.005.00       | ALZATINA                   | UPSTAND                      | DOSSERET                 | AUFKANTUNG                          |                             |
| <b>2</b>         | 612.069.00       | MANOPOLA                   | KNOB                         | BOUTON                   | DREHKNOPF                           |                             |
| <b>3</b>         | 256.108.00       | CRUSCOTTO                  | CONTROL PANEL                | BANDEAU                  | BEDIENBLLENDE                       |                             |
| <b>4</b>         | 621.027.00       | PANNELLO POSTERIORE        | BACK PANEL                   | PANNEAU POSTERIEUR       | HINTERBRETT                         |                             |
| <b>5</b>         | 256.002.00       | STAFFA FISSAGGIO CRUSCOTTO | CONTROL PANEL FIXING BRACKET | EQUERRE FIXATION BANDEAU | BEFESTIGUNGSWINKEL<br>BEDIENBLLENDE |                             |
| <b>6</b>         | 651.001.00       | PIEDINO                    | FOOT                         | PIED                     | STELLFUSS                           | FROM - 01/1999 TO - 05/2013 |
|                  | 651001.13        | PIEDINO                    | FOOT                         | PIED                     | STELLFUSS                           | FROM - 06/2013 TO - .....   |
| <b>7</b>         | 672.006.00       | ACCENDITORE PIEZO          | PIEZO LIGHTER                | ALLUMEUR PIEZO           | PIEZOZÜNDER                         |                             |
| <b>8</b>         | 671.000.00       | RUBINETTO GAS              | GAS TAP                      | ROBINET GAZ              | GASHAHN                             |                             |
| <b>9</b>         | 672.050.00       | BRUCIATORE                 | BURNER                       | BRULEUR                  | BRENNER                             |                             |
| <b>10</b>        | 672.098.00       | SPARTIFIAMMA               | FLAMESREADER                 | CHAPEAU BRULEUR          | FLAMMENTEILER                       |                             |
| <b>11</b>        | 672.044.00       | COPERCHIO                  | LID                          | COUVERCLE                | DECKEL                              |                             |
| <b>12</b>        | 672.005.00       | CANDELA ACCENSIONE         | IGNITION ELECTRODE           | BOUGIE D'ALLUMAGE        | KERZE SCHNELLBRENNER                |                             |
| <b>13</b>        | 256.109.00       | TERMOCOPPIA                | THERMOCOUPLE                 | THERMOCOUPLE             | THERMOELEMENT                       |                             |
| <b>14</b>        | 622.057.00       | BACINELLA                  | CONTAINER                    | BAC                      | BEHÄLTER                            |                             |
| <b>15</b>        | 672.016.00       | BOCCOLA REGOLAZIONE ARIA   | AIR REGULATION BUSHING       | BAGUE DE RÉGULATION AIR  | LUFTREGLERBÜCHSE                    |                             |
| <b>16</b>        | 256.110.00       | TUBO GAS                   | GAS PIPE                     | TUBE GAZ                 | GASROHR                             |                             |
| <b>17</b>        | 256.111.00       | TUBO GAS                   | GAS PIPE                     | TUBE GAZ                 | GASROHR                             |                             |
| <b>18</b>        | 675.001.00       | TUBO GAS                   | GAS PIPE                     | TUBE GAZ                 | GASROHR                             |                             |
| <b>19</b>        | 681.008.00       | GRIGLIA                    | GRILL                        | GRILLE                   | GITTER                              |                             |

| Modello<br>Type: | <b>65/40 PCG</b> |                        |                         |                              | cod. / num. <b>2531426.00</b>  |              |
|------------------|------------------|------------------------|-------------------------|------------------------------|--------------------------------|--------------|
|                  |                  |                        |                         |                              | data / date: <b>01/07/2013</b> |              |
| POS.<br>ITEM     | CODICE<br>CODE   | DESCRIZIONE            | DESCRIPTION             | DENOMINATION                 | BENENNUNG                      | NOTE / NOTES |
| 20               | 672.010.00       | VENTURI PER BRUCIATORE | VENTURI TUBE FOR BURNER | TUBE DE VENTURI POUR BRÔLEUR | VENTURI-DÜSE FÜR BRENNER       |              |
| 21               |                  |                        |                         |                              |                                |              |
| 22               |                  |                        |                         |                              |                                |              |
| 23               |                  |                        |                         |                              |                                |              |
| 24               |                  |                        |                         |                              |                                |              |
| 25               |                  |                        |                         |                              |                                |              |
| 26               |                  |                        |                         |                              |                                |              |
| 27               |                  |                        |                         |                              |                                |              |
| 28               |                  |                        |                         |                              |                                |              |
| 29               |                  |                        |                         |                              |                                |              |
| 30               |                  |                        |                         |                              |                                |              |
| 31               |                  |                        |                         |                              |                                |              |
| 32               |                  |                        |                         |                              |                                |              |
| 33               |                  |                        |                         |                              |                                |              |
| 34               |                  |                        |                         |                              |                                |              |
| 35               |                  |                        |                         |                              |                                |              |
| 36               |                  |                        |                         |                              |                                |              |
| 37               |                  |                        |                         |                              |                                |              |
| 38               |                  |                        |                         |                              |                                |              |
| 39               |                  |                        |                         |                              |                                |              |