

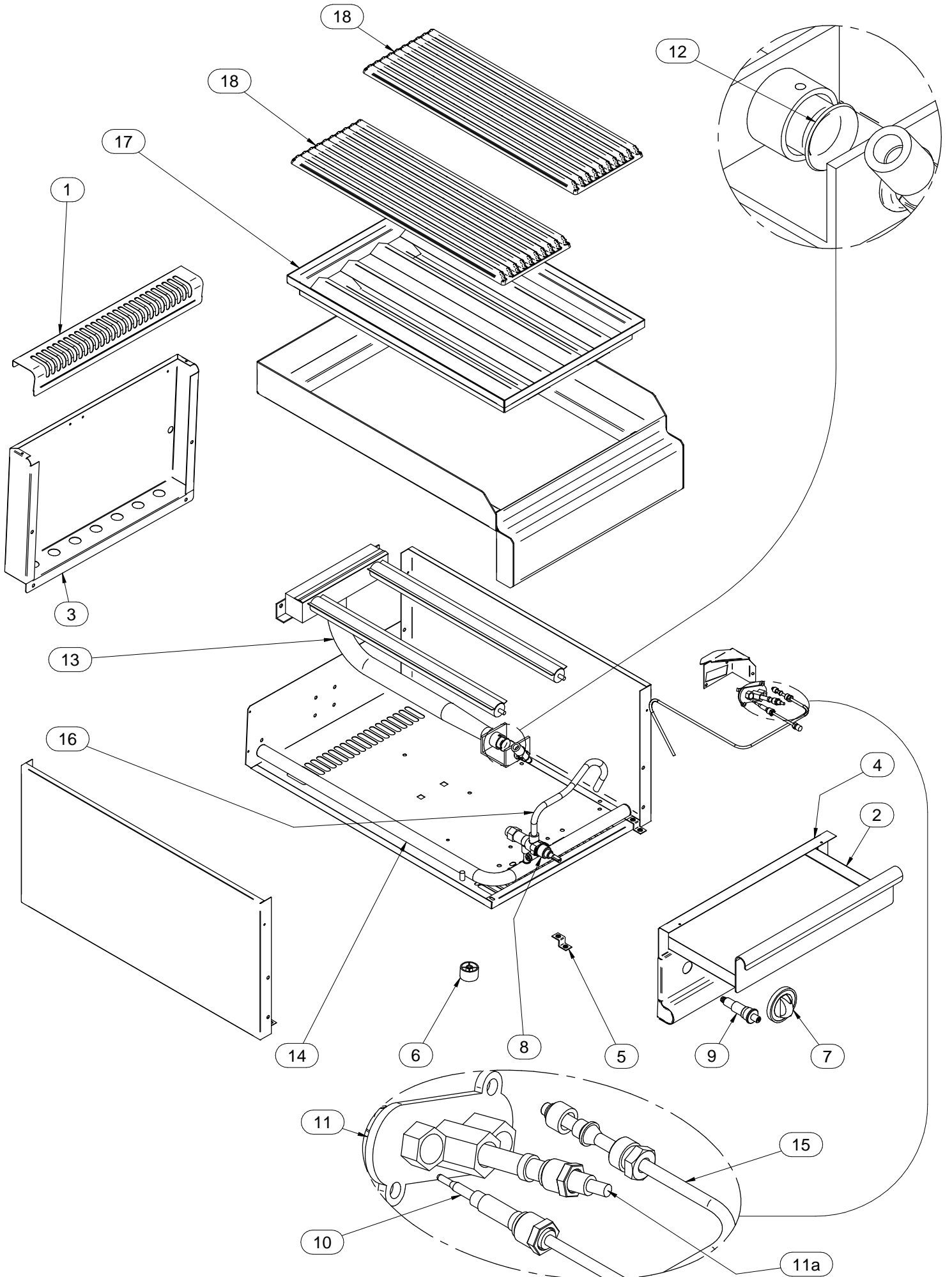
07/2013

# **Mod: G65/GGF4T**

**Production code:** 65/40 GRG



**Diamond**  
catering equipment



Modello Type:	<b>65/40 GRG</b>				cod. / num. <b>2531493.00</b>	
					data / date: <b>17/07/2013</b>	
POS. ITEM	CODICE CODE	DESCRIZIONE	DESCRIPTION	DENOMINATION	BENENNUNG	NOTE / NOTES
<b>1</b>	611.003.00	ALZATINA	UPSTAND	DOSSERET	AUFKANTUNG	
<b>2</b>	611.149.00	BACINELLA	CONTAINER	BAC	BEHÄLTER	
<b>3</b>	621.027.00	PANNELLO POSTERIORE	BACK PANEL	PANNEAU POSTERIEUR	HINTERBRETT	
<b>4</b>	256.141.00	CRUSCOTTO	CONTROL PANEL	BANDEAU	BEDIENBLLENDE	
<b>5</b>	256.002.00	STAFFA FISSAGGIO CRUSCOTTO	CONTROL PANEL FIXING BRACKET	EQUERRE FIXATION BANDEAU	BEFESTIGUNGSWINKEL BEDIENBLLENDE	
<b>6</b>	651.001.00	PIEDINO	FOOT	PIED	STELLFUSS	FROM - 01/1999 TO - 05/2013
	651.001.13	PIEDINO	FOOT	PIED	STELLFUSS	FROM - 06/2013 TO - .....
<b>7</b>	612.067.00	MANOPOLA	KNOB	BOUTON	DREHKNOFF	
<b>8</b>	671.001.00	RUBINETTO GAS	GAS TAP	ROBINET GAZ	GASHAHN	
<b>9</b>	672.006.00	ACCENDITORE PIEZO	PIEZO LIGHTER	ALLUMEUR PIEZO	PIEZOZÜNDER	
<b>10</b>	672.001.00	TERMOCOPPIA	THERMOCOUPLE	THERMOCOUPLE	THERMOELEMENT	
<b>11</b>	256.139.00	GRUPPO PILOTA	PILOT GROUP	GROUPE VEILLEUSE	ZÜNDBRENNER GRUPPE	
11a	256.060.00	CANDELA ACCENSIONE	IGNITION ELECTRODE	BOUGIE D'ALLUMAGE	KERZE SCHNELLBRENNER	
<b>12</b>	672.021.00	BOCCOLA REGOLAZIONE ARIA	AIR REGULATION BUSHING	BAGUE DE RÉGULATION AIR	LUFTREGLERBÜCHSE	
<b>13</b>	672.052.00	BRUCIATORE	BURNER	BRULEUR	BRENNER	
<b>14</b>	675.014.00	TUBO GAS	GAS PIPE	TUBE GAZ	GASROHR	
<b>15</b>	256.142.00	TUBO GAS	GAS PIPE	TUBE GAZ	GASROHR	
<b>16</b>	256.143.00	TUBO GAS	GAS PIPE	TUBE GAZ	GASROHR	
<b>17</b>	611.198.00	REGGIGRIGLIA	TRAY RACK	PORTE-PLAQUES	EINHÄNGEGESTELL	
<b>18</b>	681.011.00	GRIGLIA	GRILL	GRILLE	ROST	