

Drawing



**Hendi B.V.**  
 Steenoven 21  
 3911 TX Rhenen  
 The Netherlands

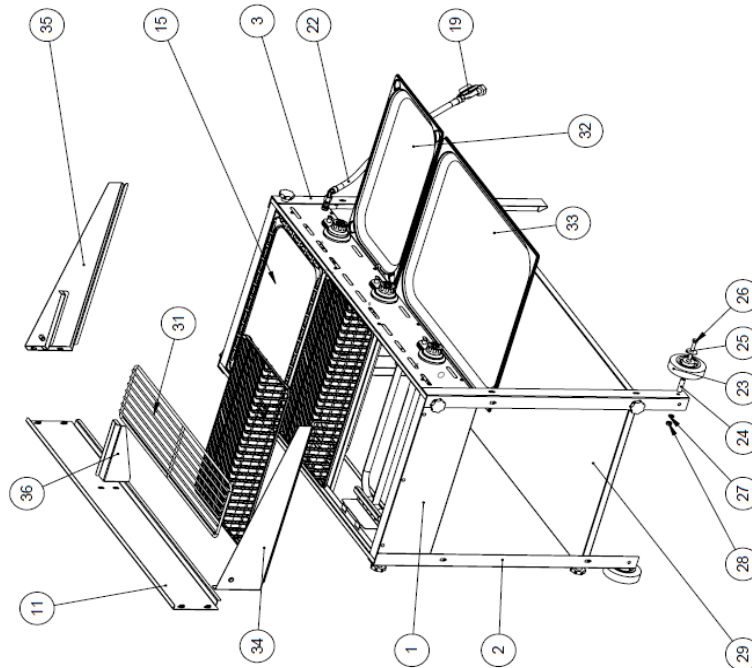
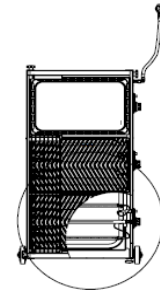
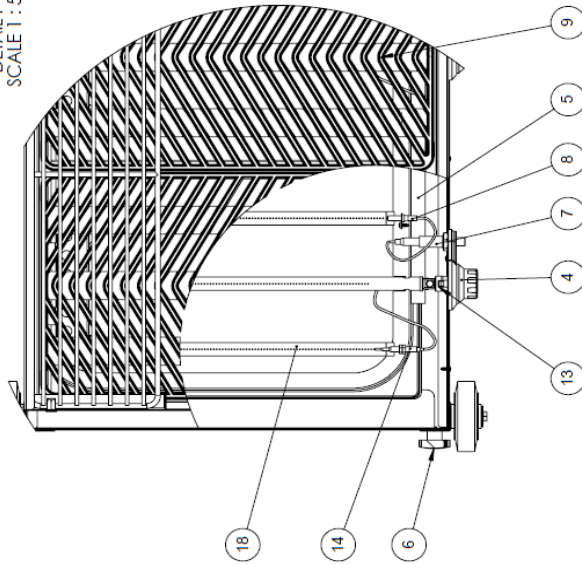
Batch #  
 0000000

Appliance part#  
 149591


Description  
 Green Fire with 3 burners

|                 |                               |                   |                  |
|-----------------|-------------------------------|-------------------|------------------|
| <b>Date</b>     | 06-05-2015                    | <b>Revision #</b> | Revision version |
| <b>Revision</b> | First bill of materials (BOM) |                   |                  |

DETAIL I  
 SCALE 1:5



### Bill of materials (BOM)

|  |             |                 |
|--|-------------|-----------------|
|  <b>HENDI</b><br>FOOD SERVICE EQUIPMENT<br><br><b>Hendi B.V.</b><br>Steenoven 21<br>3911 TX Rhenen<br>The Netherlands | Batch #     | Appliance part# |
|  | 0000000     | 149591          |
|  | Description |                 |
| Green Fire with 3 burners  |             |                 |

|                 |                               |                   |                  |
|-----------------|-------------------------------|-------------------|------------------|
| <b>Date</b>     | 06-05-2015                    | <b>Revision #</b> | Revision version |
| <b>Revision</b> | First bill of materials (BOM) |                   |                  |

| Item | Description                 | Part#  | Quantity | Remark                            | Picture |
|------|-----------------------------|--------|----------|-----------------------------------|---------|
| 1    | Frame                       | n/a    | 1        |                                   |         |
| 2    | Leg (wheel)                 | 933749 | 2        |                                   |         |
| 3    | Leg                         | 933756 | 2        |                                   |         |
| 4    | Knob complete               | 932117 | 3        | Incl. ground plate                |         |
| 5    | Inlet pipe                  | n/a    | 1        |                                   |         |
| 6    | Knob                        | 145128 | 4        |                                   |         |
| 7    | Piezo igniter               | 153178 | 3        |                                   |         |
| 8    | Electrode with wiring 190mm | 932087 | 3        |                                   |         |
| 9    | Cast iron grid              | 932018 | 2        |                                   |         |
| 11   | Windscreen (Back side)      | 933725 | 1        |                                   |         |
| 13   | Gas valve                   | 932100 | 3        |                                   |         |
| 14   | Thermocouple                | 152157 | 3        | Incl. 2 pcs Nut M8x1              |         |
| 15   | Cast iron Griddle           | 932001 | 1        |                                   |         |
| 18   | Gas burner (green fire)     | 932070 | 3        |                                   |         |
| 19a  | Regulator 50mBar            | 152157 | 1        |                                   |         |
| 19b  | Regulator 37mBar            | 152188 | 1        |                                   |         |
| 19c  | Regulator 37mBar UK         | 153161 | 1        | *Note only for the United Kingdom |         |
| 22   | Hose assembly               | 932094 | 1        | (incl. quick connect coupling)    |         |
| 23   | Wheel                       | 920022 | 2        |                                   |         |
| 24   | Insert                      | n/a    | 2        |                                   |         |
| 25   | Washer M8x30                | n/a    | 2        |                                   |         |
| 26   | Bolt M8x60                  | n/a    | 2        |                                   |         |
| 27   | Spring washer M8            | n/a    | 2        |                                   |         |
| 28   | Lock nut M8                 | n/a    | 2        |                                   |         |
| 29   | Lower shelf                 | 933763 | 1        |                                   |         |
| 31   | Grid                        | 932025 | 1        |                                   |         |
| 32   | Grease tray GN1/1x20        | 806104 | 1        |                                   |         |
| 33   | Grease tray GN2/1x20        | 806005 | 1        |                                   |         |
| 34   | Windscreen (Left side)      | 932049 | 1        |                                   |         |
| 35   | Windscreen (Right side)     | 932056 | 1        |                                   |         |
| 36   | Grid support                | 933770 | 1        |                                   |         |
|      |                             |        |          |                                   |         |
|      |                             |        |          |                                   |         |

n/a -> not available

nss -> not sold separately