

Drawing



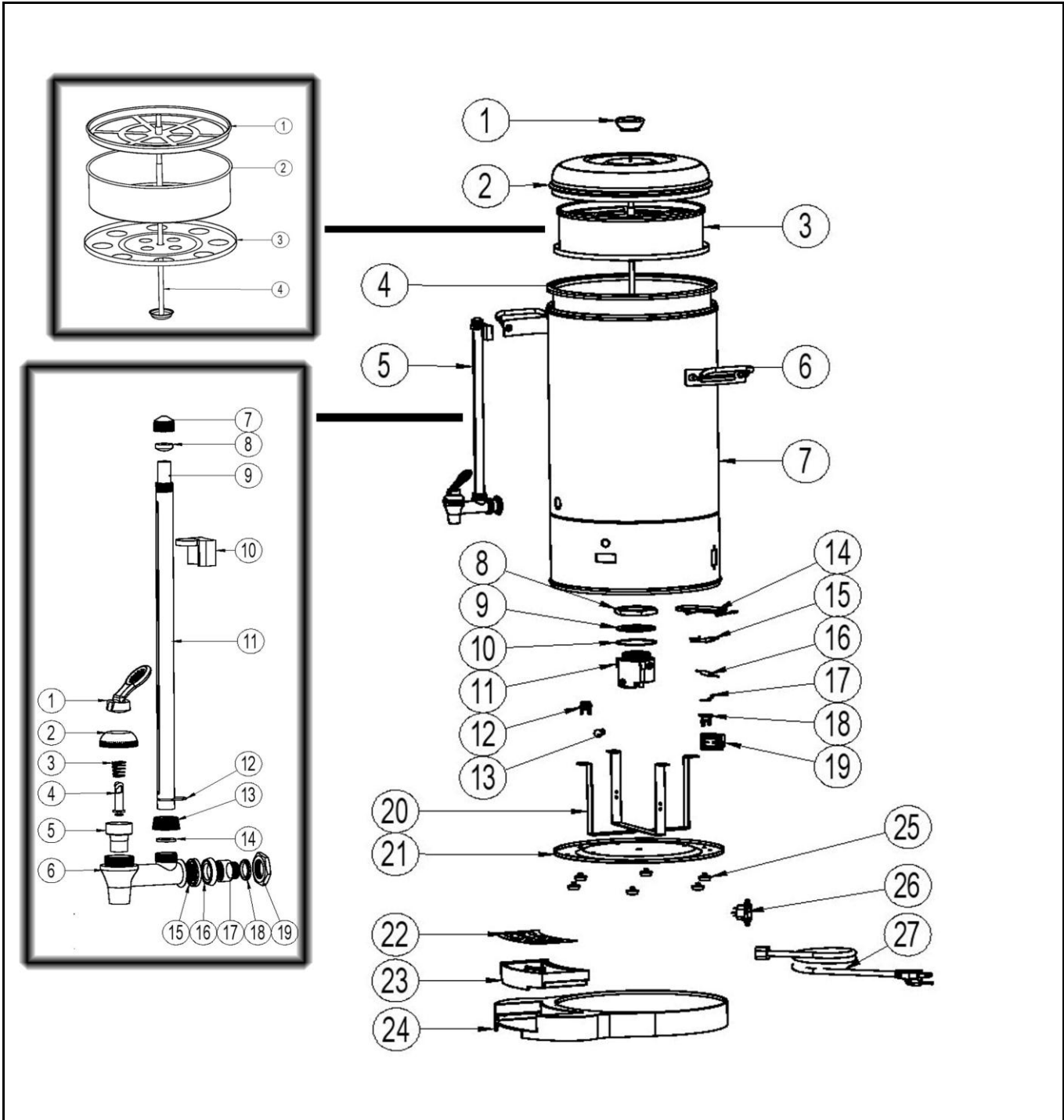
Hendi B.V.
 Steenoven 21
 3911 TX Rhenen
 The Netherlands

Batch #
 0000000


Appliance part#
 211304

Description
 Percolator double walled 15L

Date	07-05-2012	Revision #	Revision version
Revision	First bill of materials (BOM)		



Bill of materials (BOM)

 Hendi B.V. Steenoven 21 3911 TX Rhenen The Netherlands	Batch #	Appliance part#
	0000000	211304
	Description	
Percolator double walled 15L		


Date	07-05-2012	Revision #	Revision version
Revision	First bill of materials (BOM)		

Item	Description	Part#	Quantity	Remark	Picture
1	Knob for lid	nss	1	Available as 928424	
2	Lid	928424	1	Incl item 1	
3	Filter complete	900291	1		
3-1	Filter cover	nss	1	Available as 900291	
3-2	Filter basket	nss	1	Available as 900291	
3-3	Basket holder	910818	1		
3-4	Pumpbar	900550	1	Not included in set 900291	
4	Inner Container	n/a	1		
5	Sleeve graduation with faucet complete	927410	1		
5-1	Handle faucet	nss	1	Available as 927410	
5-2	Nut faucet	nss	1	Available as 927410	
5-3	Spring	nss	1	Available as 927410	
5-4	Lever	nss	1	Available as 927410	
5-5	Sealingfaucet	nss	1	Available as 927410	
5-6	Faucet	208038	1	Also available in 927410	
5-7	Cap	nss	1	Available as 927410	
5-8	Gasket glass graduation	208496	1	Also available in 927410	
5-9	Glass graduation	nss	1	Available as 927410	
5-10	Holder	nss	1	Available as 927410	
5-11	Sleeve graduation	nss	1	Available as 927410	
5-12	Clip	nss	1	Available as 927410	
5-13	Nut sleeve graduation	nss	1	Available as 927410	
5-14	Gasket glass graduation	208496	1	Also available in 927410	
5-15	Ring faucet	nss	1	Available as 927410	
5-16	Gasket faucet	nss	1	Available as 927410	
5-17	Spacer (incl. item 5-18)	927366	1	Available as 927410	
5-18	Gasket spacer	nss	1	Available in 927410 and 927366	
5-19	Nut faucet	nss	1	Available as 927410	
6	Handle	n/a	2		
7	Container	n/a	1		
8	Nut element	nss	1	Available as 900116	
9	Gasket element	nss	1	Available as 900116	
10	Washer element	nss	1	Available as 900116	
11	Element 1500W	900116	1	Incl item 8,9,10.	
12	Clixon (88°C)	900147	1		
13	Indication light	902059	1		
14	Element 80W	901458	2		
15	Holder element	n/a	2		
16	Thermal fuse	900345	1		
17	Holder thermal fuse	n/a	1		
18	Clixon (200°C)	900277	1		
19	Switch	205426	1		
20	Bracket bottom cover	n/a	1		
21	Bottom cover	n/a	1		
22	Grid driptray	nss	1	Availabale as 927434	
23	Driptray (complete)	927434	1	Incl item 22 and 24	
24	Holder driptray	nss	1	Availabale as 927434	
25	Foot	900574	6	Sold per pcs	
26	Power socket	927441	1		
27	Power cord	900680	1		

n/a -> not available

nss -> not sold separately

Circuit diagram

 <p>Hendi B.V. Steenoven 21 3911 TX Rhenen The Netherlands</p>	Batch #	Appliance part#
	0000000	211304
	Description	
	Percolator double walled 15L	

Date	07-05-2012	Revision #	Revision version
Revision	First bill of materials (BOM)		

